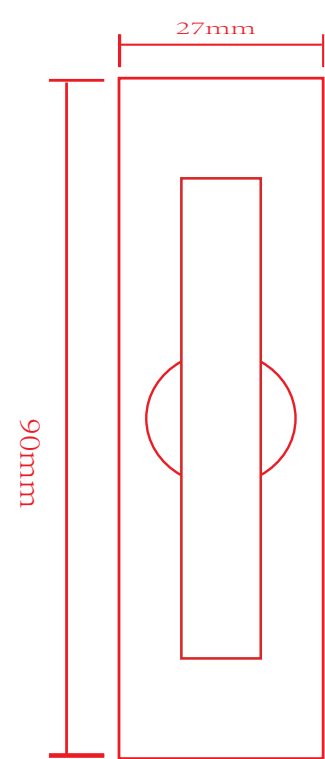


— Bleeding line  
 — Die line

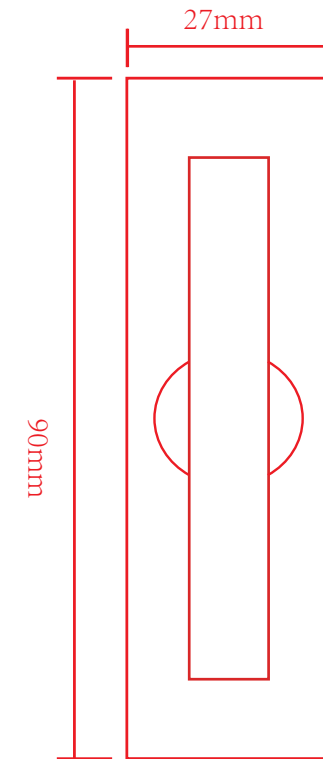
**TH210:**  
 63.5mm H 10.5 D

EVA size:  
 L90xW27xH14mm  
 (5mm+9mm)

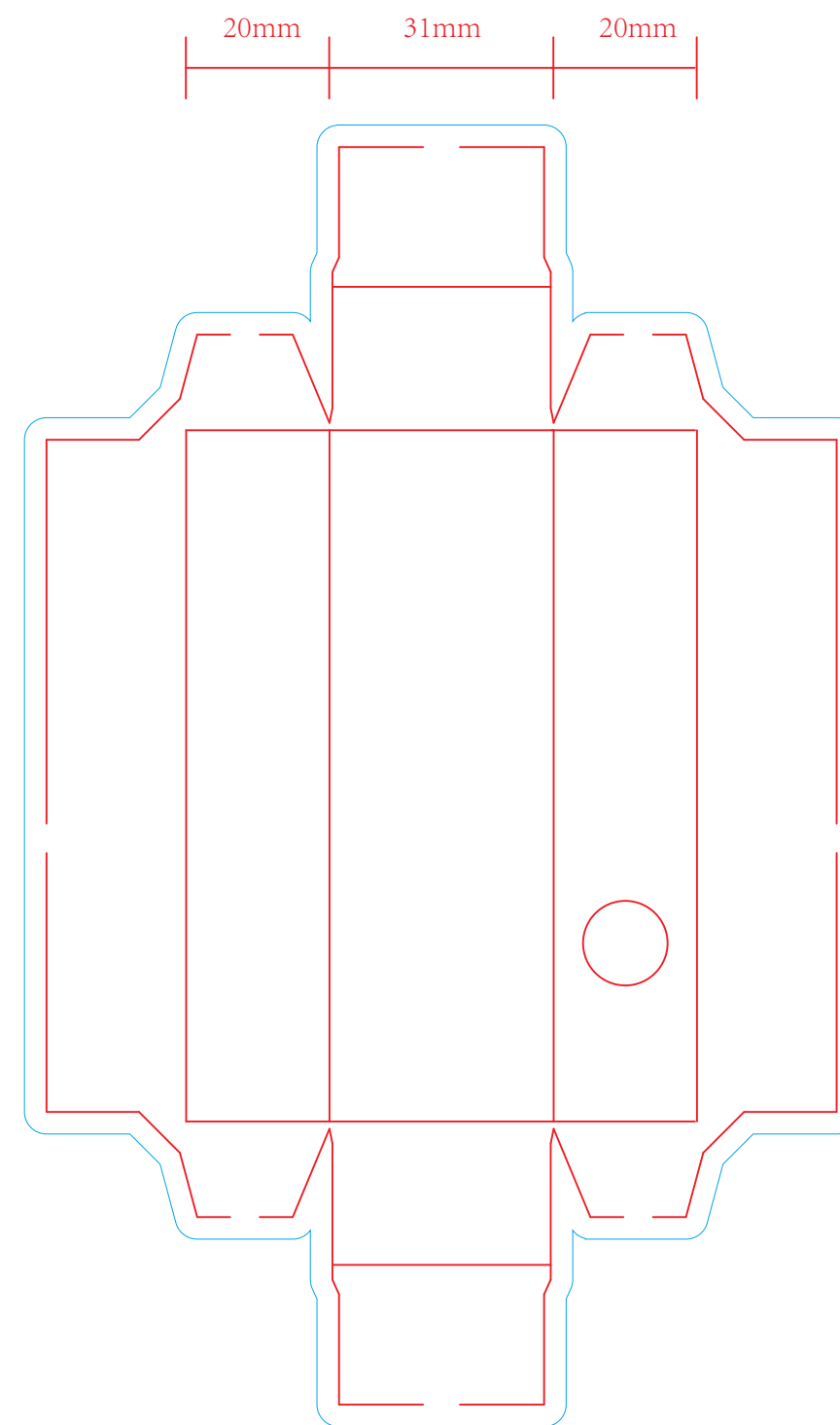


**FC10**  
 69mm H 10.5 D

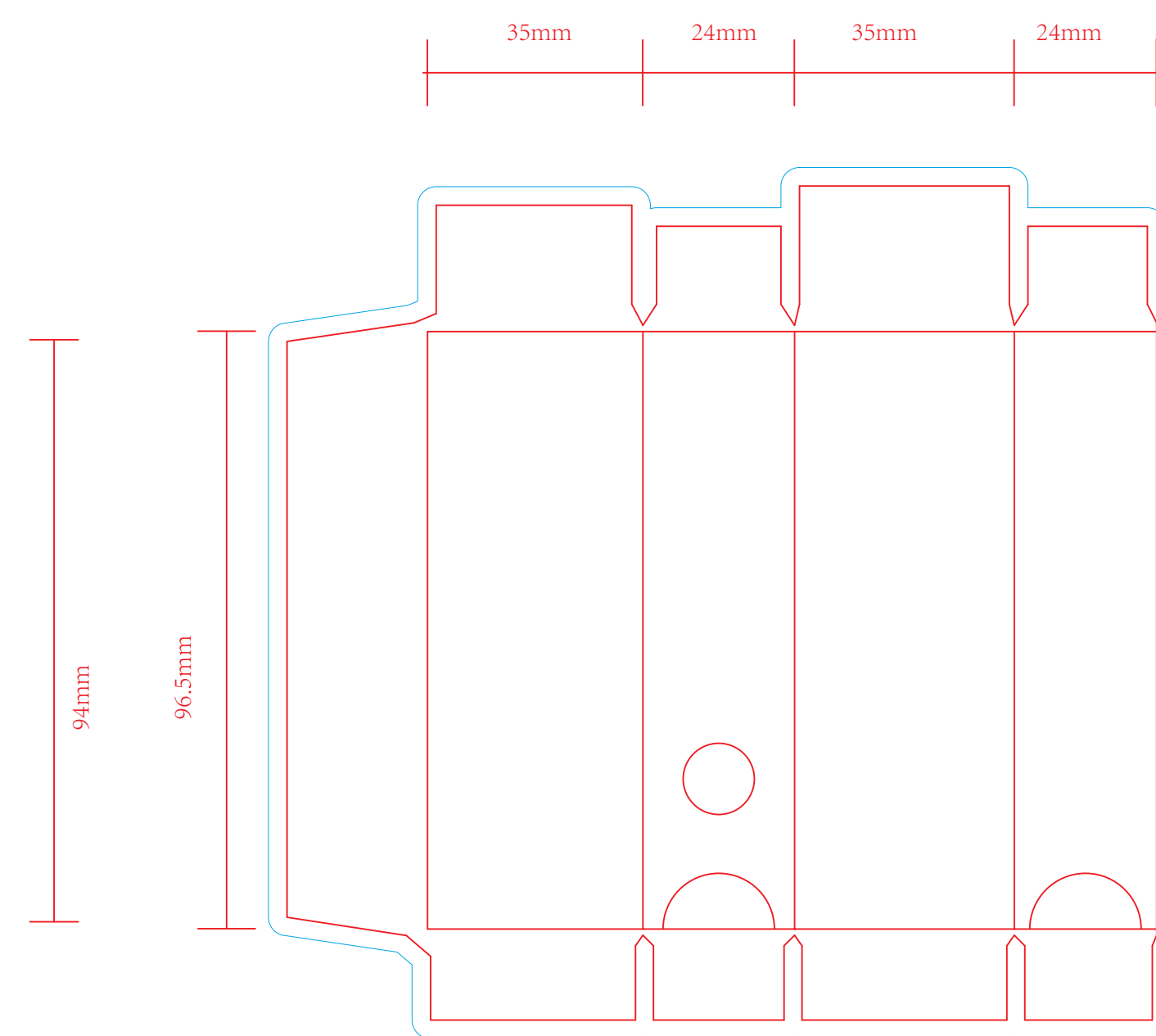
EVA size:  
 L90xW27xH14mm  
 (5mm+9mm)



### INNER BOX



### OUTER BOX



## Design Guidelines

- Graphics in CMYK ONLY
- Outline all fonts
- Embed all images (if used)
- Include 3mm Bleed

- Place artwork on the "Artwork Here" layer
- Use specified layers if design includes multiple finishes
- Save in a vector format (.AI, .PDF, .EPS)